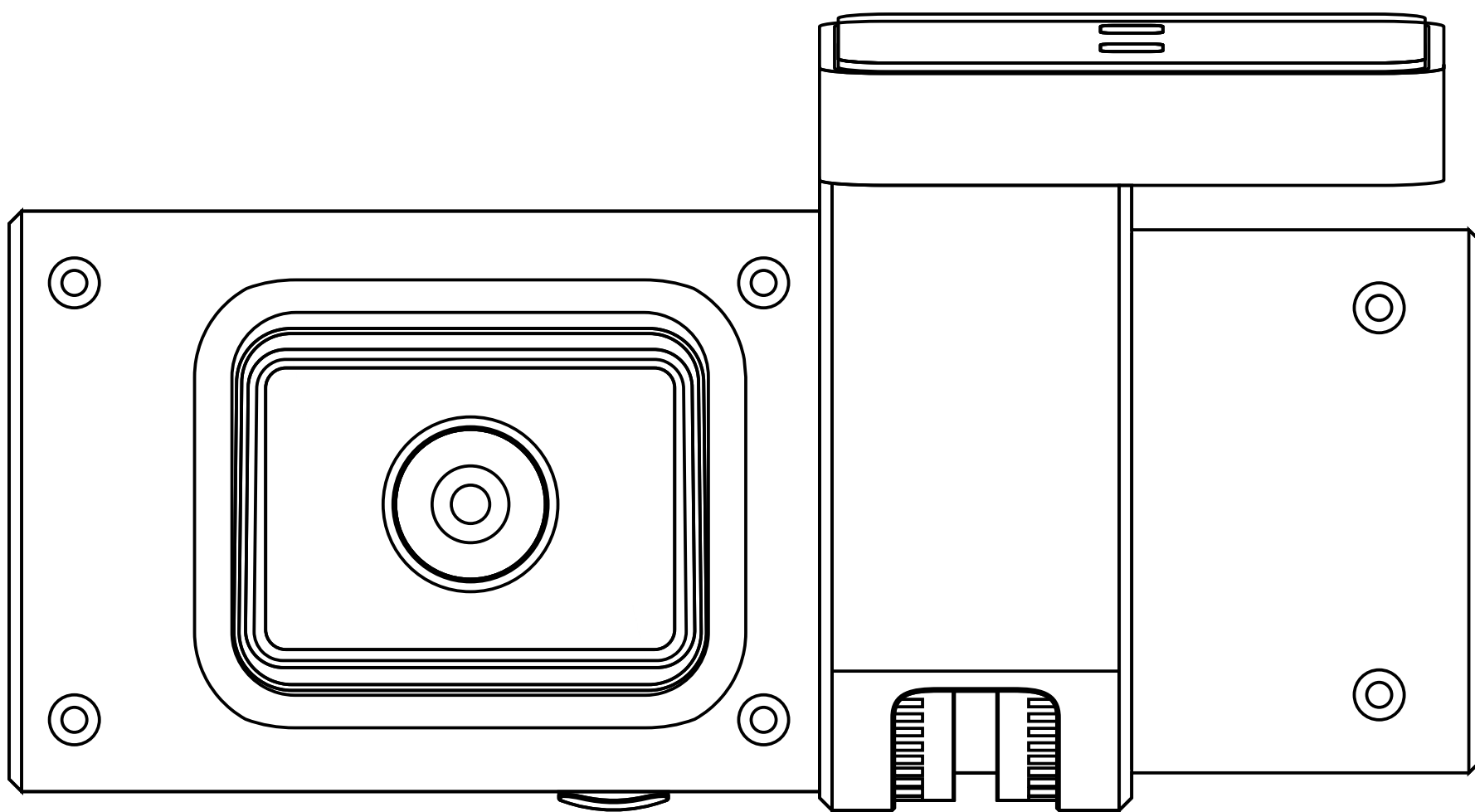


JC181 Series 4G Dashcam Lite

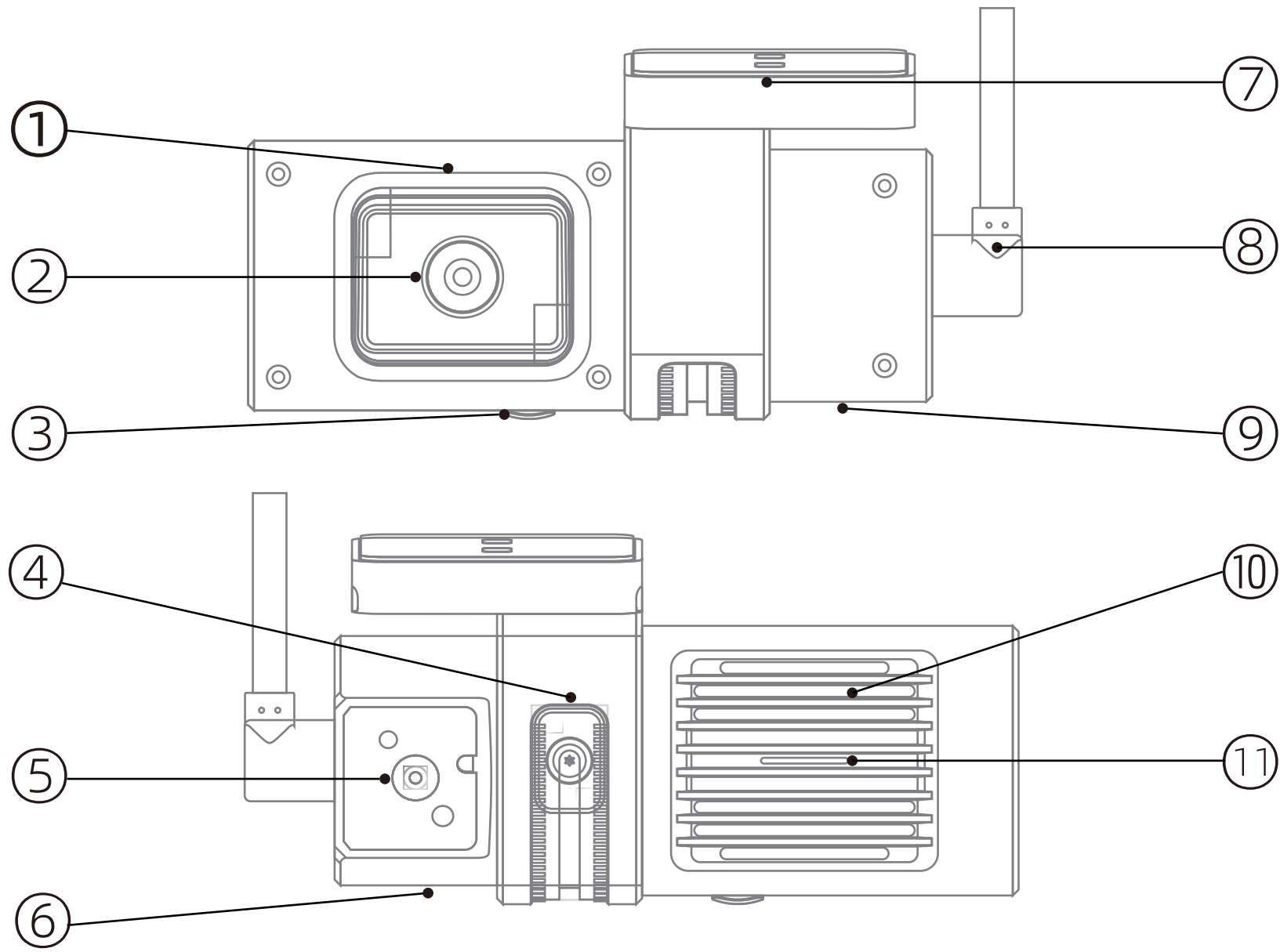
Quick Start Guide V1.1



Please read this guide carefully before use. Because the product performance may improve over time, this guide is subject to change without notice.

01/Overview of Product Appearance

1.1. Appearance Description



Item	Function	Item	Function
①	Memory card / SIM card slot	⑦	Mount base
②	Front camera (main)	⑧	Power supply port
③	SOS Key	⑨	Microphone
④	Fastener screw	⑩	Heat sink
⑤	Sub camera	⑪	Speaker
⑥	Status indicator light (red, green, blue)	⑫	Upgrade/reset button

1.2. Description of Work Indicators

Red	Off	○○○○○	The device is shut down or in sleep mode.
	Solid on	●●●●●	The device is in the ACC on state and records video normally.
	Flash	●○○○●	The device is in the ACC ON state but an exception occurs in the video recording function.
Green	Off	○○○○○	The device is shut down or in sleep mode.
	Solid on	●●●●●	The device is in the ACC ON state and has successfully got its first fix.
	Flash	●○○○●	The device is in the ACC ON state and is positioning
Blue	Off	○○○○○	The device is shut down or in sleep mode.
	Solid on	●●●●●	The device is in the ACC ON state and has normal network access.
	Flash	●○○○●	The device is in the ACC ON state and fails to access the network.

02/Packaging List

2.1. Standard configuration

Item	Name	Qty
1	JC181 unit	x 1
2	Mount base	x 1
3	Card slot protective cover	x 1
4	Power cable	x 1
5	T6 torx screwdriver	x 1
6	M2 screws	x 3

2.2. Optional accessories

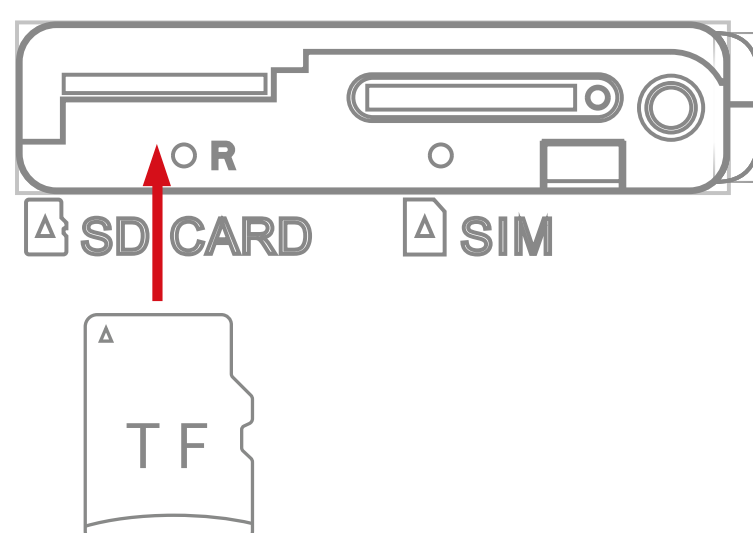
Item	Name	Usage
1	Power cable (for cigarette lighter socket)	It is used by the device to get power from the car cigarette lighter socket.
2	Power cable (for OBD port)	It is used by the device to get power from the car OBD port.
3	Peripheral camera	It can be mounted remotely to monitor places of your concern.

2.3. Selection of accessories

The JC181 series requires a SIM card and a memory card to function its best. You can purchase the two accessories according to your specific needs, but the following requirements must be met:

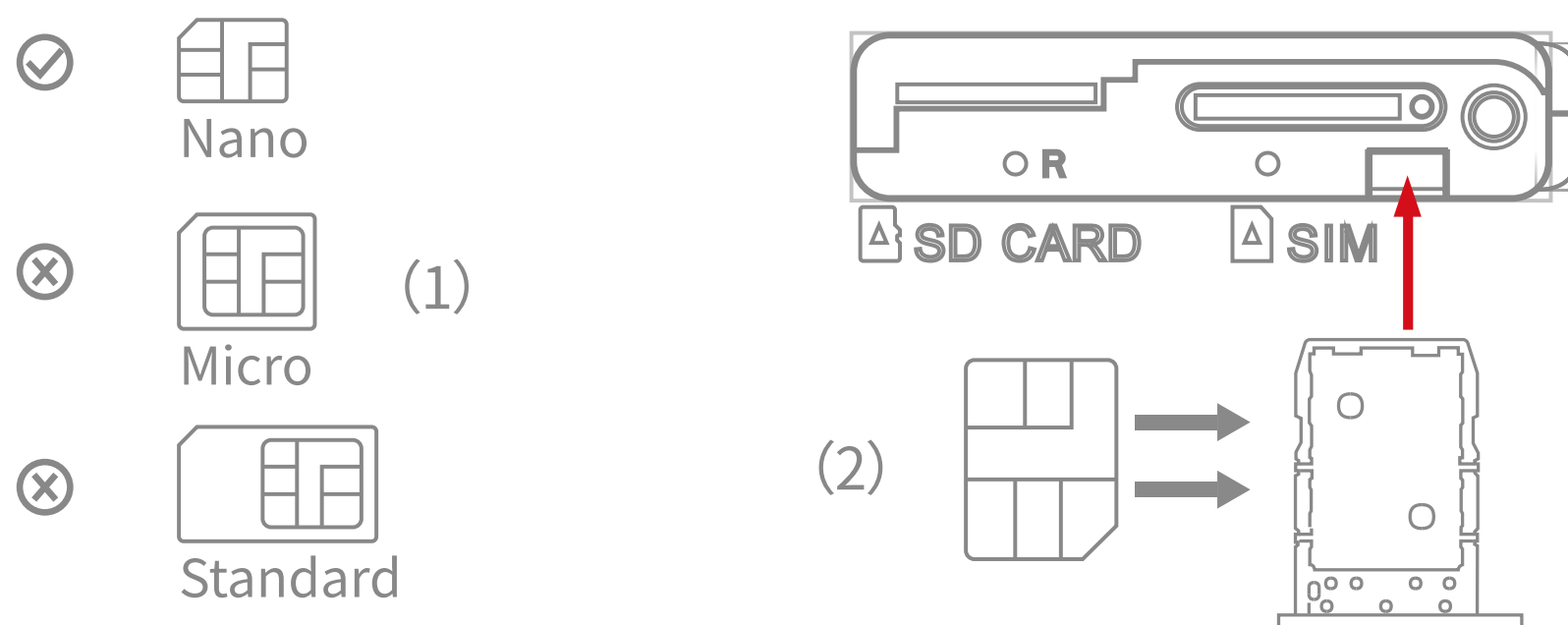
Memory card

1. The device supports one Micro SD card;
2. The card must be in FAT32 format with a capacity of 16GB to 128GB;
3. The card must be rated Class 10 or higher, or perform A1 or higher;
4. It is recommended to use a memory card from the original manufacturer of your device to ensure optimal compatibility and stability;
5. Insert the card by the direction shown in the figure to protect the card against damage;
6. Press the card inward to remove it. If you are removing the card in your car, use moderate force to ensure that the card is not ejected out to an inaccessible location;
7. Make sure the SIM card is not inserted into the memory card slot;
8. Memory cards are consumables, which means they have a tested lifespan. It is recommended that you test the card quarterly to ensure that it is reading and writing normally, and replace it periodically to protect your video files from loss;
9. It is recommended to use industrial grade memory cards if the device is used for a long period of time every day to avoid video recording exceptions caused by hot weather.



SIM card

1. A Nano SIM card is required (refer to the following figure for card size);
2. Use the supplied card tray for the SIM card installation;
3. Attach or detach the SIM card (make sure the device is in the ACC OFF state) by the steps shown in Figure 2;
4. Make sure the SIM card is subscribed to a cellular data service;
5. Use the supplied ejector pin to remove the card tray and the SIM card;
6. It is recommended to use ceramic SIM cards if the device is used for a long period of time every day to avoid card deformation and communication failures caused by high temperature.



03/Product Functions

JC181 series is a compact 4G dashcam. It has two cameras that simultaneously monitor the road ahead and the cabin. It uses the 4G network to communicate with the backend, pinpoints locations using GPS and BDS signals, and detects movements of the vehicle using the G-sensor. It can be widely used in light vehicle fleets and private cars, enabling remote management of both vehicles and drivers to save time and improve efficiency.

3.1 Product features

● Video recording

The two cameras can simultaneously record video of the road and the driver. The device supports loop recording and stores video in segments. It also supports video playback via the web browser or the mobile app.

● Tracking

The device is equipped with a GNSS module that determines positions using both GPS and BDS signals. It is able to acquire positions when the vehicle is moving and upload the data to the cloud server in real time. It also supports the playback and retrieval of trip history.

● 4G communication

The built-in 4G LTE module can access the network at CAT.1 speed, ensuring smooth video transmission.

● Remote management

The device can connect to the cloud server over the wireless data network, enabling remote control of the device, such as location tracking and live video viewing.

● Driving behavior monitoring

The device can detect reckless driving behaviors such as collisions, hard braking, hard acceleration, sharp cornering, and speeding, and report such behaviors to the platform.

● Exception alerts

When the device detects exceptions in the vehicle, it notifies the platform, records the location, and captures video clips related to the exception. The device then uploads these data to the cloud server for storage and future reference.

3.2. Configuration and parameters

Configuration	Parameter	Configuration	Parameter
Communication network	4G Cat.1	CPU	ARM Cortex A7
Speaker	Support	Microphone	Support
Front camera (main)	1920 × 1080	Sub camera	640 × 360
GNSS	GPS & BDS	G-sensor	3-axis
WiFi	2.4G 802.11 b/g/n AP mode (no WiFi hotspot)	Memory card	Micro SD card in FAT32 16GB–128GB
Frequency bands (vary with the model you purchase)	JC181-LA	4G FDD: B1/B2/B3/B4/B5/B7/B8/B28 2G GSM: B2/B3/B5/B8	
	JC181-EU	4G FDD: B1/B3/B5/B7/B8/B20/B28 4G TDD: B38/B40/B41 2G GSM: B2/B3/B5/B8	

3.3. Product performance

Configuration	Parameter	Performance	Parameter
Operating voltage	DC9-33V	Undervoltage protection	9V
Operating temperature	-20 °C to 70 °C	Overvoltage protection	36V
Storage temperature	-30 °C to 85 °C	Reverse connection protection	Support
ESD protection	Air ±8KV; contact ±4KV	Flame retardant	UL94 V-0

04/Product Installation

4.1 Notices

- This device is for use with gasoline-powered vehicles only. Please do not use it with all-electric or hybrid vehicles;
- Use the supplied accessories for the installation;
- The power supply for the device is DC9-33V. Please connect the positive and negative terminals of the power cable correctly to prevent any damage to the vehicle;
- When installation is complete, remove the protective film from the camera lens for optimal capture effect;
- Use a memory card and a SIM card recommended in this guide;
- Ask your dealer or a professional agency to perform the installation and testing as described in this guide.

4.2 Installation preparation

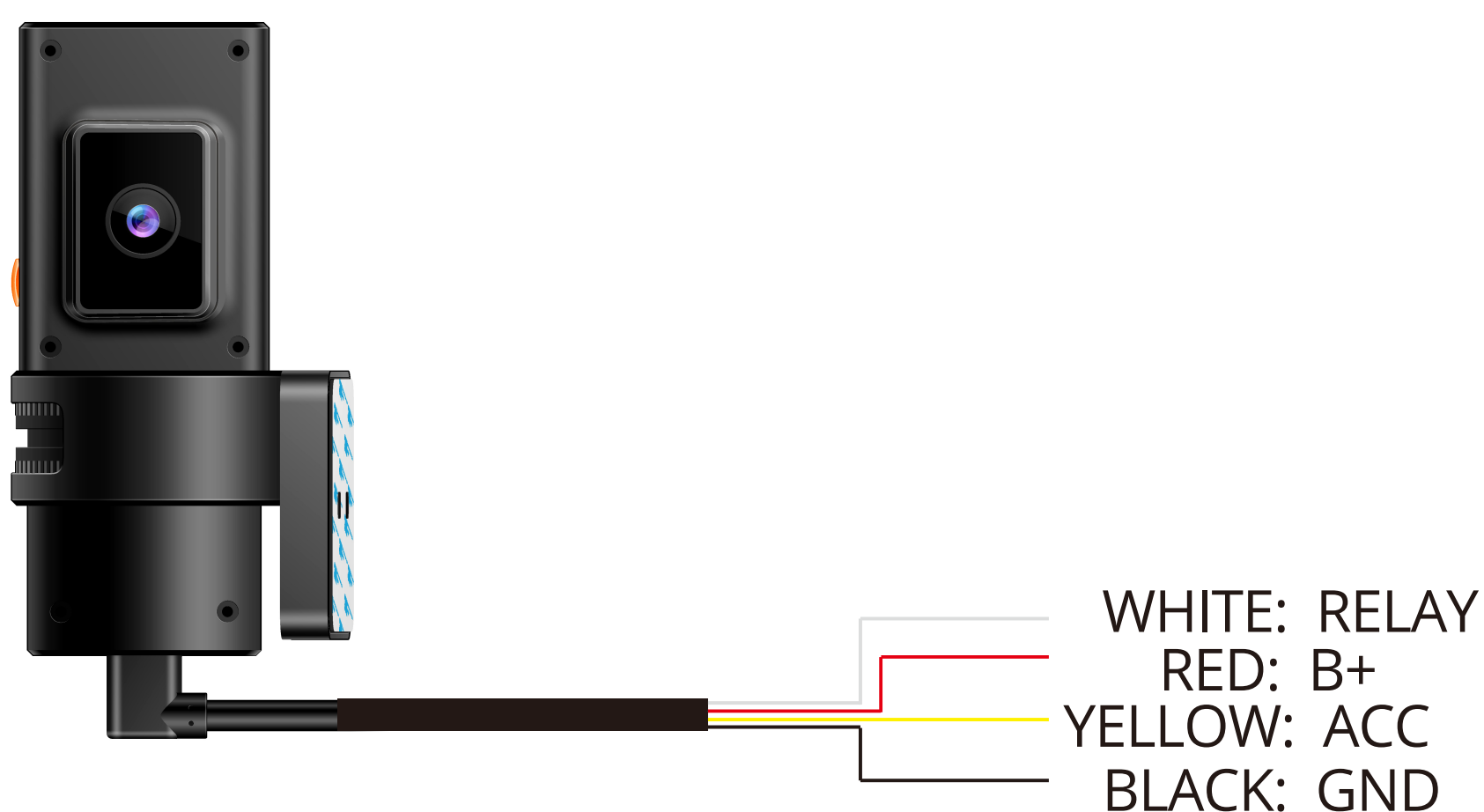
- Check the package you received against the packing list and make sure everything is in good condition before installing.
- Prepare the installation tools (insulation tape, assembly and disassembly tool, etc.)
- Check if all original functions of the vehicle in which the device is to be installed are normal. If any exception is found, do not proceed with the installation;
- Take necessary cleaning and protection measures to the vehicle in advance.

4.3 Product pre-installation

Before installation, it is recommended that you install all necessary accessories on the device, including:

- Insert an eligible memory card correctly into the device;
- Place an eligible SIM card in the card tray and insert it into the device;
- Select a proper install position and clean the position.

4.4. Product wiring diagram

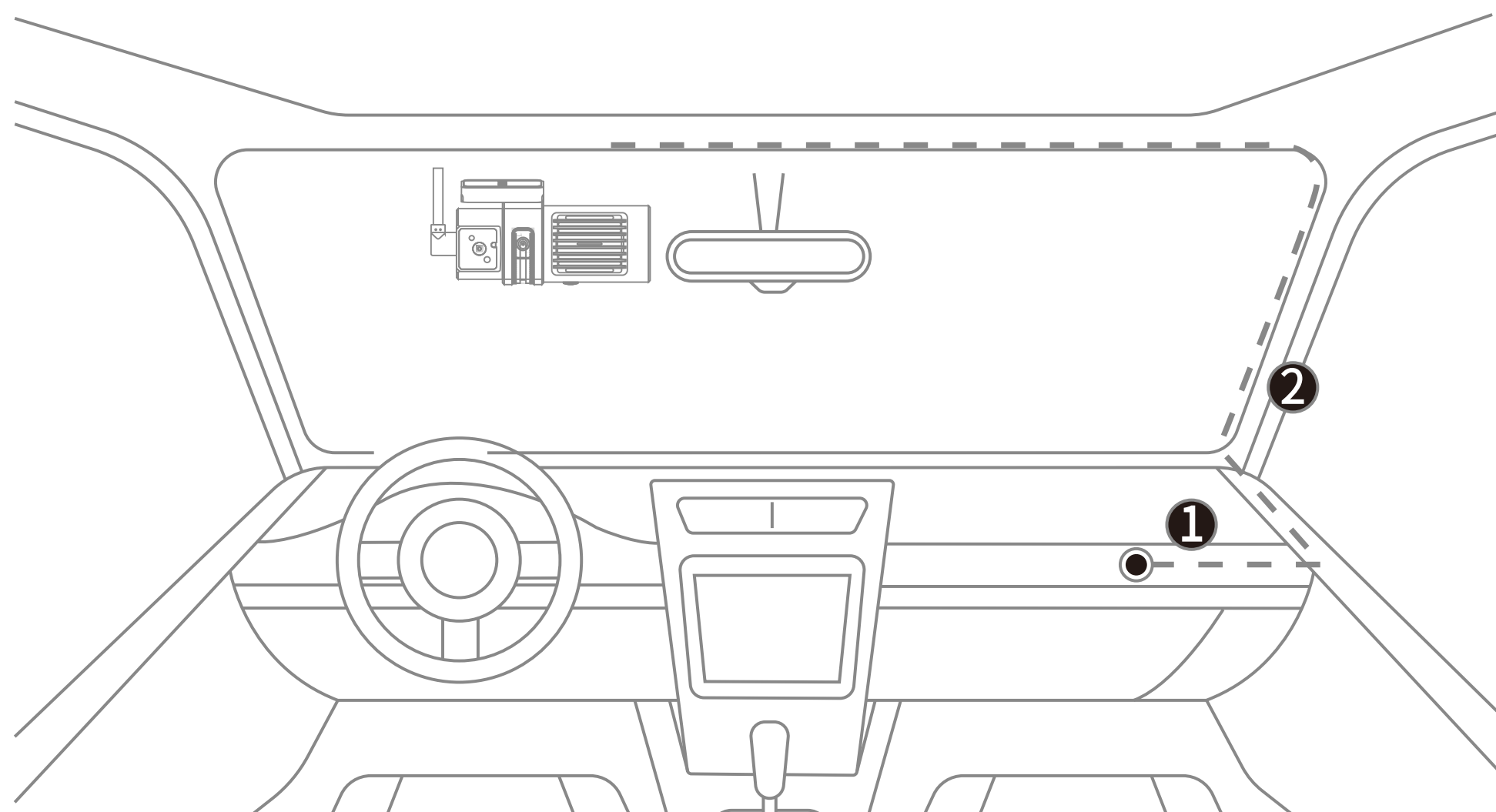


Installation description

1. Check if all accessories are included and intact and purchase optional accessories according to your specific needs;
2. If you plan to install a peripheral camera, it is recommended that you purchase a camera specified by the manufacturer;
3. If you plan to install a relay, a compatible relay kit should be purchased separately;
4. When the power cable is connected, tighten the fastener screw to prevent the cable from coming loose.

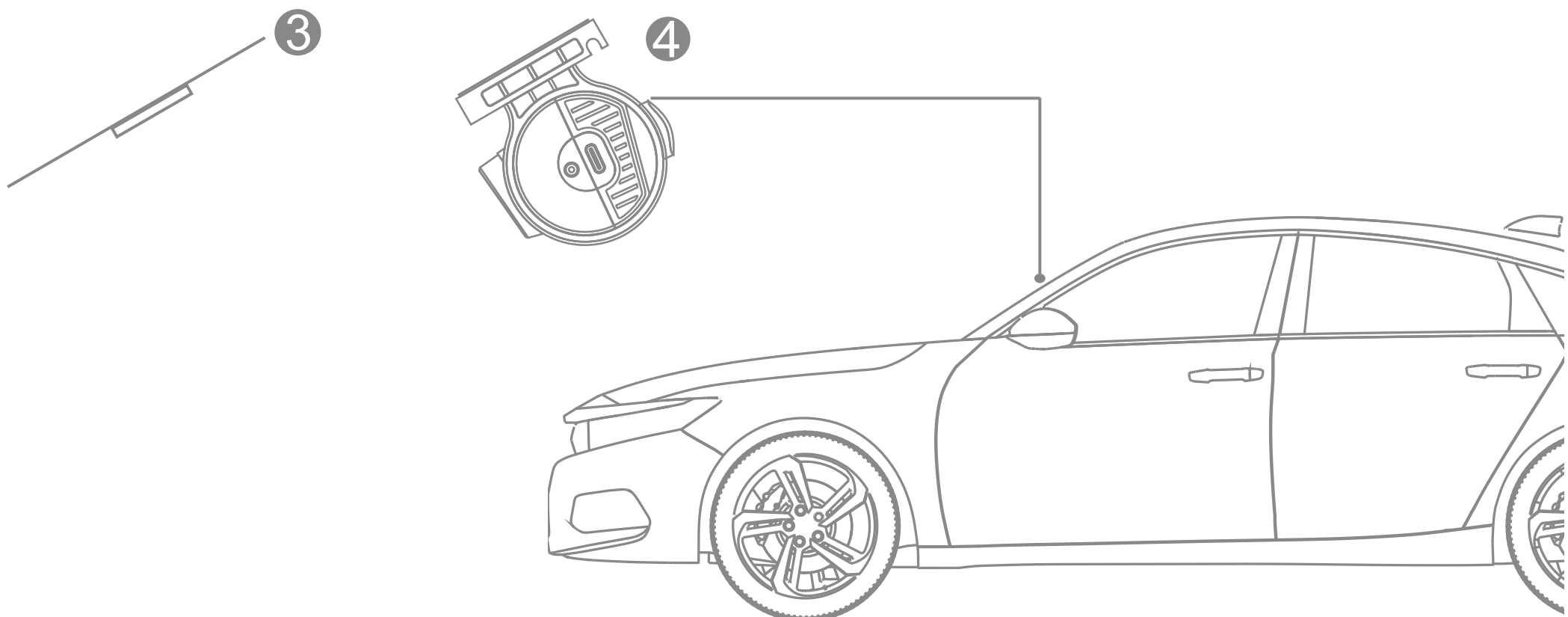
4.5. Installation

It is recommended that you install the main unit on a position on the front windshield that is to the left side behind the rearview mirror. The entire installation consists of the installation of the body and the routing of the power cable.



Step 1: Connect the power cable of the device with the B+, ACC, and GND wires from the vehicle fuse box. Refer to Figure ① for the location.

Step 2: Route the power cable along the A pillar to the top center of the front windshield. Refer to the dotted line in Figure ②.



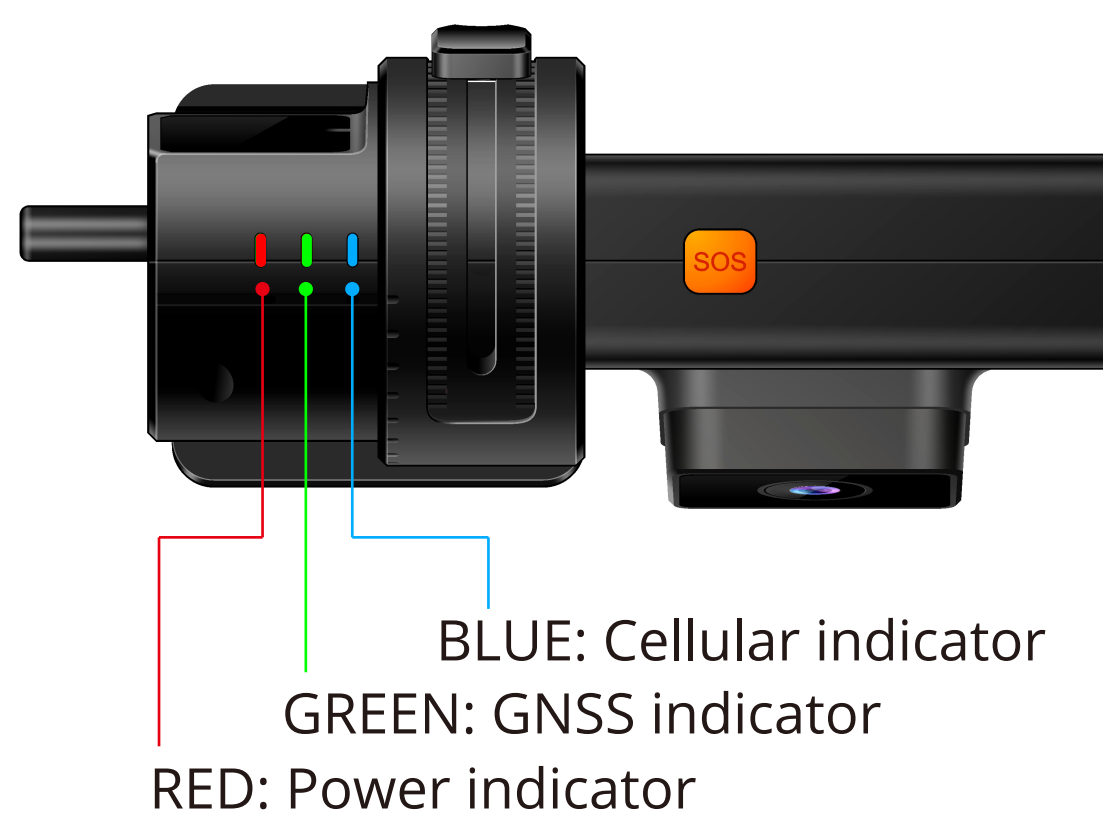
Step 3: Attach the mount base

Select a suitable position on the front windshield. The recommended position is one that is to the left side behind the rearview mirror (near the driver's seat); Clean the mounting position to ensure there is no dust or smudges; Remove the protective film from the 3M double-sided adhesive tape on the mount base and attach the base to the mounting position, as shown in Figure ③. After attaching the base, apply a moderate amount of force to enhance the contact and squeeze out the air to ensure that the mount base stays in place without falling.

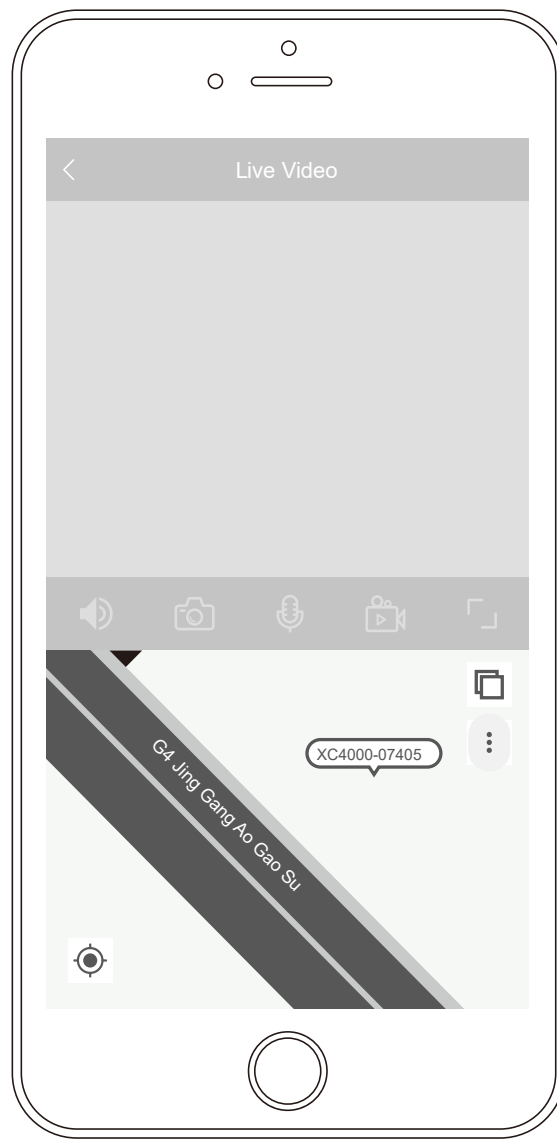
Step 4: Mount the device on the base and adjust the front camera so that it is facing forward horizontally, as shown in Figure ④. Tighten the adjustment screw of the base and connect the power cable to complete the installation.

4.6. Device testing

1. Check the power cable connection: Normally, when the vehicle is in the ACC ON state, the power indicator (red) of the device will light on; otherwise, the power indicator will be off.
2. Check the GNSS function of the device: Normally, when the vehicle's ignition is turned to the ON position, the GNSS indicator (green) will flash; you can drive your vehicle to an open area and wait for one minute, then the GNSS indicator will change to solid on.



3. Check the data communication function of the device: Normally, when the vehicle's ignition is turned to the ON position, the cellular indicator (blue) will flash; you can drive your vehicle to a place where the cellular signals are good, then the cellular indicator will change to solid on.
4. Check the cameras: Log in to the designated mobile app and go to the live video interface. If you can switch between cameras, then the cameras are working properly. You can manually adjust the capture angle of the cameras according to actual conditions.



05/Main Functions

5.1. Basic operation

- **Startup**
If the device's power cable is properly connected to the vehicle's power source, the device will start automatically when the vehicle is started without human intervention.
- **Shutdown**
The device shuts down automatically if the power source to it is disconnected.
- **Sleep**
The device will disable its recording, GNSS, and other functions if it detects that the vehicle's ignition is turned to the OFF position. Then it will enter the sleep mode to save power.

5.2. Main functions

- **Video recording**
When the vehicle's ignition is turned to the ON position, the device will start recording automatically. It will simultaneously record video, including audio, captured by the connected camera(s). This function can make use of loop recording to store video on the memory card, without human intervention.
- **Tracking**
When the vehicle's ignition is turned to the ON position, the device will automatically activate its GNSS module to fix positions. This function enables the device to track and acquire the geographic location of the vehicle, which is uploaded to the cloud server.
- **Event monitoring**
When in operation, the device can monitor the vehicle speed, gravity acceleration, driver and vehicle status, etc.; when an abnormal condition occurs, the device issues an alert to remind the driver and uploads the event with geographic location and image/video evidence to the platform.

5.3. Remote Management

- **Live video**
Through the background service you can use the device's cellular capability to transmit audio and video from the camera(s), so you can view the vehicle's status live.
- **History video**
Through the background service you can use the device's cellular capability to push the selected audio and video files as well as the history video files stored in the memory card to the platform.
- **Location query**
You can check the live or history locations of the vehicle via the platform to know its past trips.

06/Others

6.1. FAQ

1. The device does not start and the LED indicators are off.
 - (1) Check the ignition status of the vehicle, as the device will operate only when the vehicle is started;
 - (2) Check if the device is securely connected to the B+, ACC, and GND wires of the vehicle;
 - (3) Check if the fuse is blown or shorted.
2. The camera does not operate properly and the red indicator flashes.
 - (1) Check if the memory card is inserted correctly;
 - (2) Check the memory card on a computer to see if it is normal;
 - (3) Check if the format of your memory card is FAT32. If not, please format it to FAT32.
3. The device cannot access the network and the blue indicator flashes.
 - (1) Check if the SIM card is correctly attached and activated with the required mobile network services;
 - (2) If it is an IoT card, you may need to configure the APN manually as the APN adaptation may fail.
4. The device cannot perform positioning and the green indicator flashes.
 - (1) Drive your vehicle to an open area. The GNSS signals may be weak in an underground garage or a tunnel;
 - (2) If the device is started under a high-rise building, it is a normal phenomenon that the signal search and positioning may be slow. In this case, you can drive your vehicle to an open area to speed up the positioning.
5. The platform fails to receive some alerts.
 - (1) Check if the switches for these alerts are enabled on the platform.
6. The camera becomes loose easily after adjusting the capture angle.
 - (1) After adjusting the camera to the optimal capture angle, tighten the tamper-proof screw.
7. The mount base falls off easily after attachment.
 - (1) The mount base is equipped with a 3M double-sided adhesive tape. Its adhesiveness may be affected if there is floating dust or grease on the install position. Therefore, please clean the install position before installing.

07/After-sales Service Terms

7.1. Special Note

No prior notice will be given if the product is upgraded due to technological reasons. The appearance or color of the product is subject to the actual. The warranty card applies to the services of repair, replacement, and refund of the product with the following IMEI. Please keep this warranty card and the original purchase receipt together in a safe place, as these will be needed at time of services.

7.2. Warranty Terms

For damages not caused by human factors, this warranty lasts for one year starting from the date of purchase. You can choose to pay for the repair services in any of the following cases:

- ① The warranty card is expired
- ② No warranty card or valid proof of purchase;
- ③ The product, including its accessories, is not in the warranty period;
- ④ Damage caused by unauthorized repairs, crash, liquid spillage, incident, accident, modifications, or incorrect voltage input; or the label, IMEI, or counterfeit mark of the product is broken or scribbled;
- ⑤ Damages caused by installation or use not in accordance with the user manual;
- ⑥ Damage caused by force majeure such as fire, flood, or lightning;
- ⑦ The device model is inconsistent with the warranty card or the warranty card has been altered;
- ⑧ Other damages caused by force majeure.

No part of this document may be reproduced, retranslated, or copied in any form or by any means or for profit (electronic, photocopying, taping, etc.) without written permission of the Company.

7.3. Note

This equipment has been tested and found to comply with the limits for a Class B digital device, pursuant to Part 15 of the FCC Rules. These limits are designed to provide reasonable protection against harmful interference in a residential installation. This equipment generates, uses and can radiate radio frequency energy and, if not installed and used in accordance with the instructions, may cause harmful interference to radio communications. However, there is no guarantee that interference will not occur in a particular installation.

If this equipment does cause harmful interference to radio or television reception, which can be determined by turning the equipment off and on, the user is encouraged to try to correct the interference by one or more of the following measures:

- ① Reorient or relocate the receiving antenna.
- ② Increase the separation between the equipment and receiver.
- ③ Connect the equipment into an outlet on a circuit different from that to which the receiver is connected.
- ④ Consult the dealer or an experienced radio/TV technician for help.

Disclaimer:

©All Rights Reserved Please read this manual carefully prior to use. No prior notice will be given for any changes made to the appearance, color, or accessories of the product.

This equipment complies with Part 15 of the FCC Rules. Operation is subject to the following two conditions:

(1) this equipment may not cause harmful interference, and (2) this equipment must accept any interference received, including interference that may cause undesired operation. Caution: Changes or modifications not expressly approved by the party responsible for compliance could void the user's authority to operate the equipment. This equipment complies with FCC radiation exposure limits set forth for an uncontrolled environment.

This equipment should be installed and operated with a minimum distance of 20cm between the heat dissipating part and your body.

08/Warranty Card

Customer Information:

Customer Name		IMEI No.	
Mailing Address			
Product Model		Phone	
Date of Purchase		Invoice No.	
Purchased From			
Address			
Phone			

Maintenance Record

Service Start Date	Problem and Solution	Service End Date	Customer Signature

Important

Please keep this warranty card in a safe place, as it is the proof for one-year free warranty services. If this card is lost, the Company will determine the date of purchase to be the thirtieth (30th) day after the date of production.